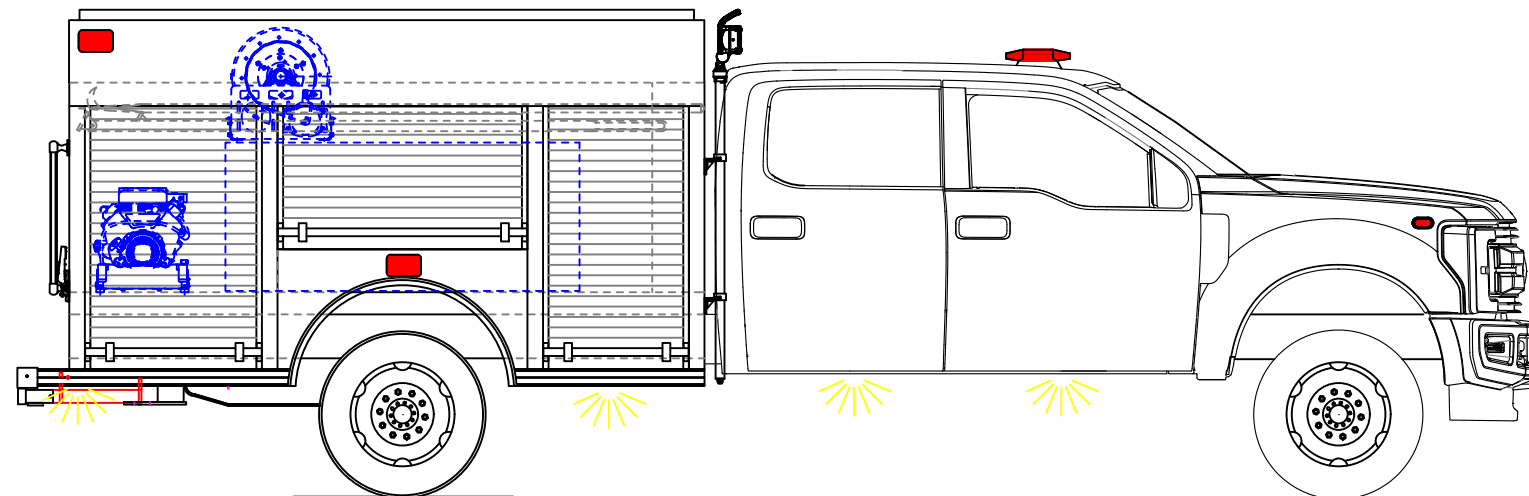
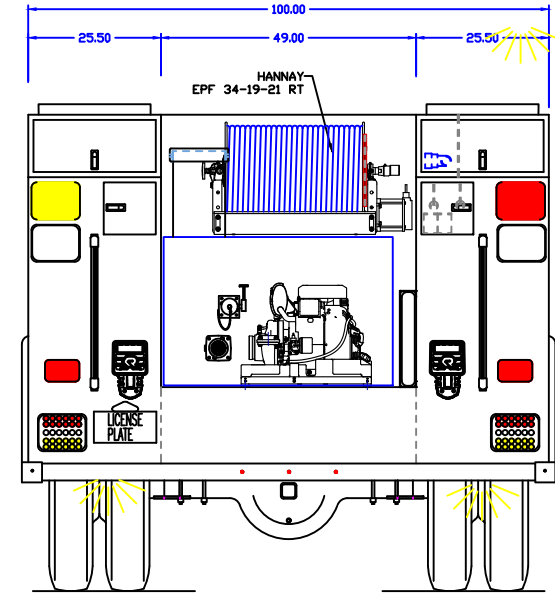
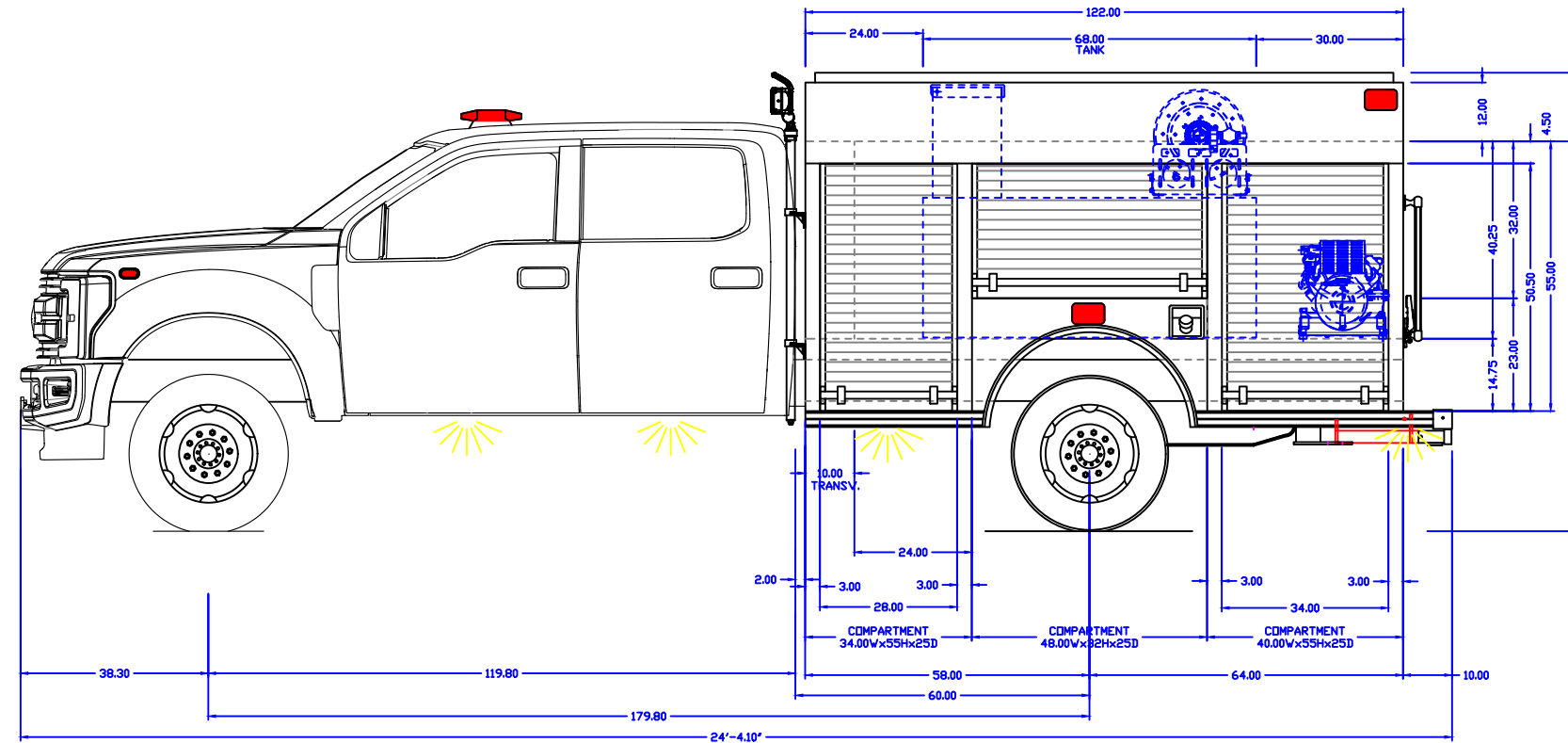
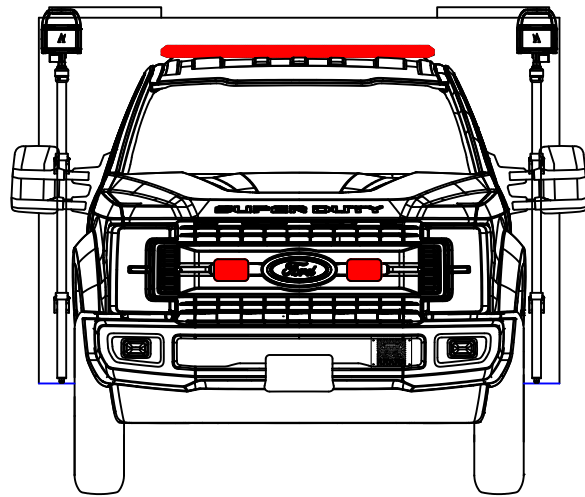


INITIALS: _____
 JOB NUMBER: 31065
 DATE: _____

MAIN FILE: _____
 DEPT: _____
 DEALER: _____

PRODUCTION APPROVED _____

- NOTES:
1. OVERALL HEIGHT IS IN LOADED CONDITION. UNLOADED HEIGHTS MAY BE 4" ABOVE HEIGHTS SHOWN.
 2. DO NOT SCALE DRAWING.
 3. ALL DIMENSIONS ARE APPROXIMATE AND SUBJECT TO ENGINEERING CHANGES.
 4. DRAWING MAY OR MAY NOT SHOW ALL ITEMS AS DESCRIBED IN THE WRITTEN DETAIL SPECIFICATIONS.
 5. INCLUSION OF AN ITEM ON THE DRAWING DOES NOT CONSTITUTE INCLUSION OF THAT ITEM WITH THE FINAL DELIVERED UNIT.
 6. THE EFFECTIVE DOOR OPENINGS WILL BE APPROX. 2" LESS THAN THE NOTED COMPARTMENT OPENING FOR ROLL UP DOORS AND UP TO APPROX. 4" LESS FOR HINGED DOORS



APPROVED BY: _____

CHASSIS:	FORD
PUMP:	HALE AUX
TANK:	POLY/300/10(FOAM)
PANEL MATL:	NA
COMP INTERIOR:	SPATTER PAINTED

REVISED:	DATE:
DRAWN: BVZ	DATE: 9/19/22

PROPRIETARY AND CONFIDENTIAL
 THE INFORMATION CONTAINED IN THIS DRAWING IS
 THE SOLE PROPERTY OF ROSENBAUER. ANY
 REPRODUCTION IN PART OR AS A WHOLE WITHOUT
 THE WRITTEN PERMISSION OF ROSENBAUER IS
 PROHIBITED.

MAXIMUM HEIGHT	NONE
MAXIMUM LENGTH	NONE
BODY WIDTH	100"

ARGYLE QUICK ATTACK, FL



ROSENBAUER MINI 1/8"
 DRAWING NUMBER: ARGYLE QUICK ATTACK, FL
 REV: -